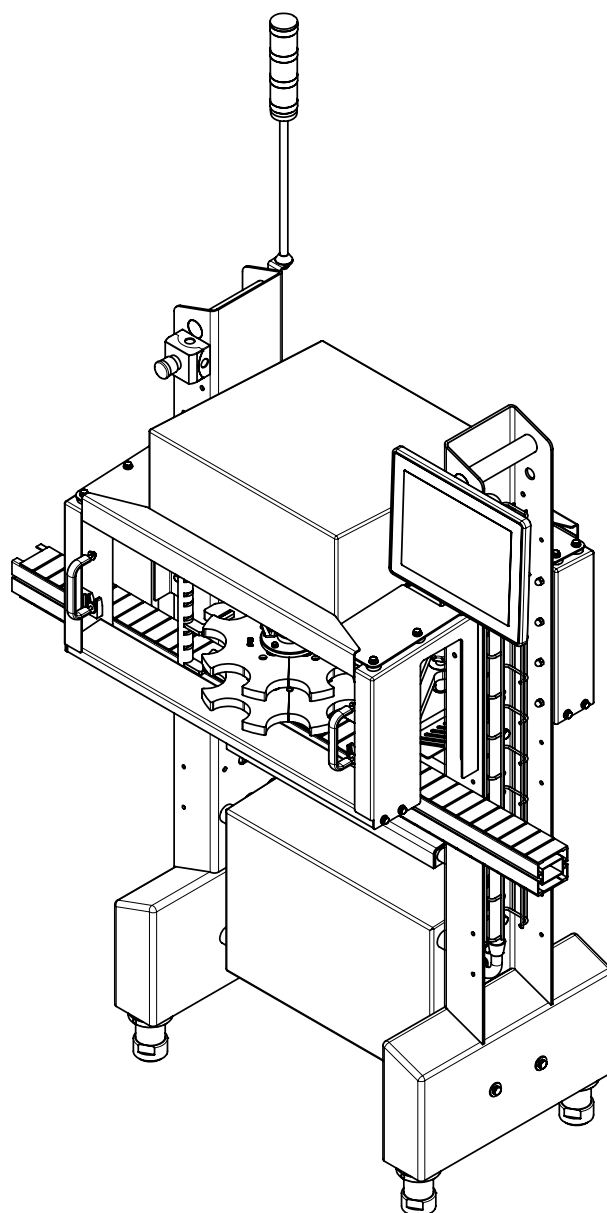


HC-A-IS-WD

TECHNICAL DATA

CW



PRESSURE WASHERS SAFE

HC-A IS-WD

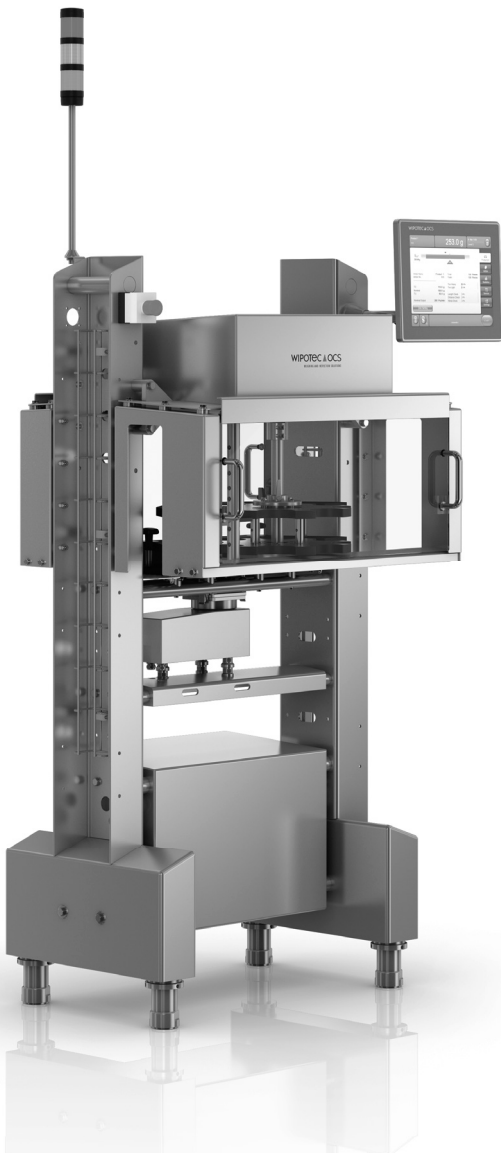
For unstable cylindrical products - High-speed in-line weigh control

The **HC-A-IS-WD** provides a reliable and robust checkweigher in an innovative, hygienic wash-down design for fully automatic weight control for use in filling plants (e.g. in the food and beverage industry).

The indexing star wheel system enables optimal product handling for high, slim containers (aerosol cans, plastic and glass bottles, etc.) and ensures fast, precise in-line weight control.

The easy exchangeable star wheel handles product transfer, product transportation within the weighing unit and the return transportation to the production line. Thanks to the open and easy-to-clean balcony construction, the HC-A-IS-WD can be easily integrated into existing filling lines without having to open up the existing transport route.

The intuitive user interface ensures convenient operation via clearly structured, 15-inch colour TFT display with touch-screen.



MAIN FEATURES

- ✔ Extremely high accuracy especially for unstable cylindrical products
- ✔ IP69K protection type, solid stainless steel design, IFS-compliant product control, HACCP/LMHV/FDA conformity
- ✔ Easy integration into existing lines
- ✔ Short change over time with simple change of format sets
- ✔ Possibility of fast feedback/tendency control of filling machine

YOUR BENEFITS

- ✔ Efficiency improvement through simple and user-friendly controls
- ✔ Flexible integration in production lines for more efficiency

TECHNICAL DATA

HC-A IS-WD

BASE DATA

Material of machine	Frame stainless steel V2A/AISI 304
Machine weight (standard application)	400 kg
Shipping weight (standard application)	500 kg
Protection class	IP69K
Temperature range	-5 °C to +40 °C
Display and operation	Tilttable 15" colour TFT display with touchscreen
Available dialog languages	Bosnian, Chinese, Croatian, Czech, Danish, Dutch, English, Finnish, French, German, Greek, Hungarian, Italian, Japanese, Latvian, Lithuanian, Polish, Portuguese, Russian, Slovak, Slovenian, Spanish, Swedish, Turkish (other languages on request)
Interfaces ¹⁾	Optionally: Ethernet, OPC, Profibus, ProfiNet, EtherNet/IP, RS232, RS422, RS485
Max. output ²⁾	60 pcs/min
Digital I/O	8xI + 8xO (optionally extendible)
Product parameter storage	100 PPS (optionally 200 / 400 PPS)
Drive	Servo-Technology automatic cropping on the weighing platform
Noise level ²⁾	A-weighted emission sound pressure level under 70dB(A)
Rated voltage	L1/N/PE; 100-240 VAC
Rated frequency	50/60 Hz
Connect load (power capacity)	Approx. 0.8 kVA - 1.0 kVA
Compressed air supply	6 bar approx. 16NI/min quality class (according to ISO 8573-1) [5:3:3]
Possible maximum numbers of connected motors	1 motor (optionally 3 extendible)
EU-type examination certificate	DE-18-MI006-PTB001 (MID)

WEIGHING DETAILS

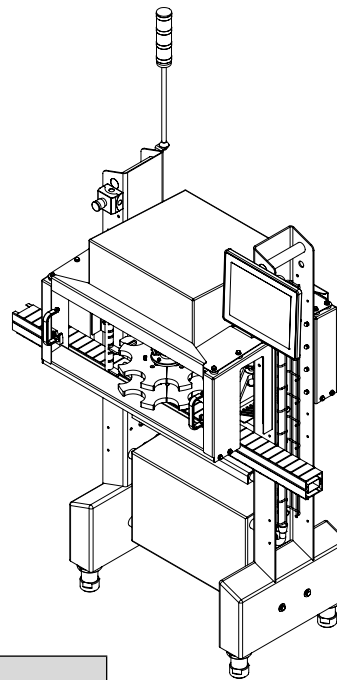
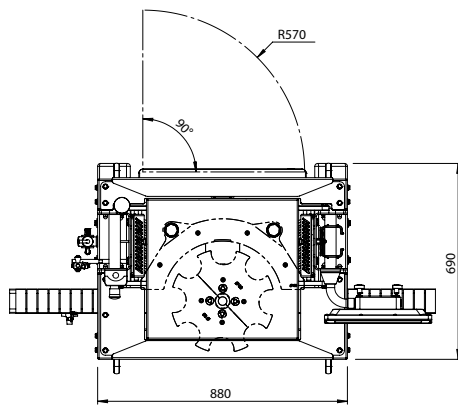
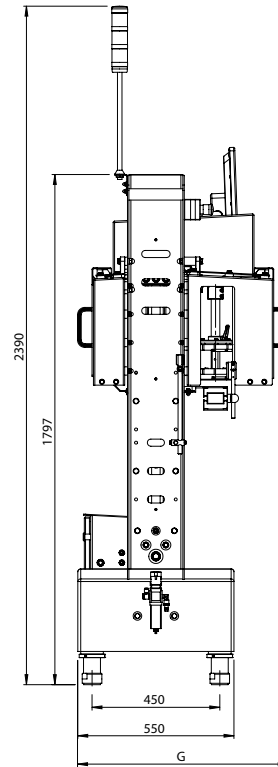
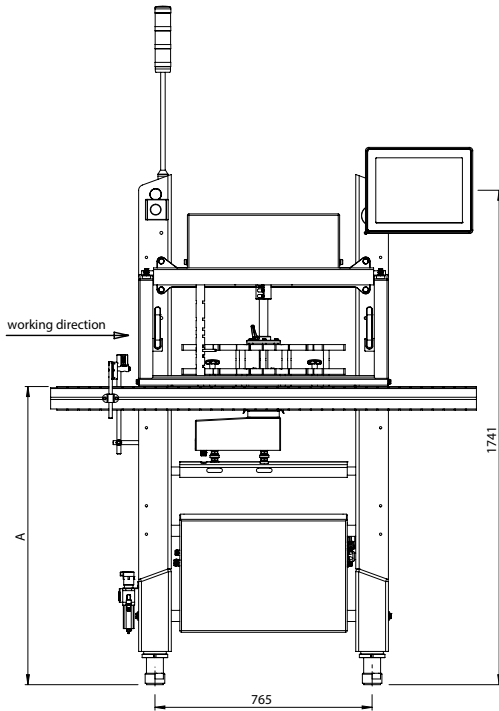
	Weigh Cell (Type)	GWR (Gross weighing range)	Dead load max.	e (Min. calibration value)	d (Displayed value)	Standard deviation ²⁾ (1s)	n (Scale division)
HC-A-IS-WD-3002-2	EC-3002-2	3,750 g	12,000 g	≥ 0.5 g	≥ 0.05 g	from 500 mg	7,500

1) Optionally, surcharge

2) Depending on product shape, product behavior, transport speed and environmental condition

MACHINE DIMENSIONS

HC-A IS-WD



Format	Diameter Height
8 star deviation	ø 51 - 80 mm H 300 mm
12 star deviation	ø 36 - 50 mm H 270 mm
16 star deviation	ø 20 - 35 mm H 200 mm

A = Working height ¹⁾	800-950 / 900-1,050 / 1,000-1,150 mm
G = Total width	750 mm depending on machine configuration

1) Working height must be specified when ordering

These specifications are reference values of the standard machine excluding application- or weighing-specific add-on parts.
All entries in mm | Drawing shows design example

