



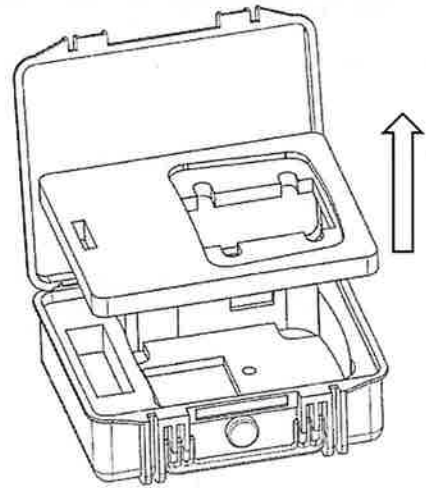
# Carrying Case

Ranger (Count) 2000 3000 4000

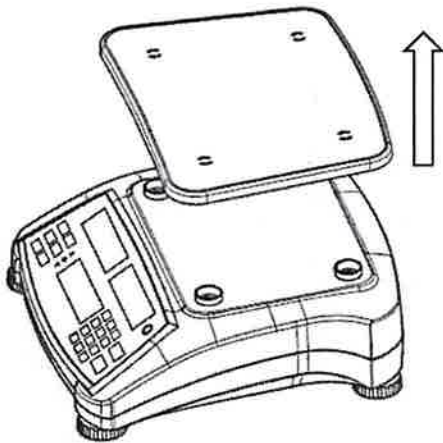
1



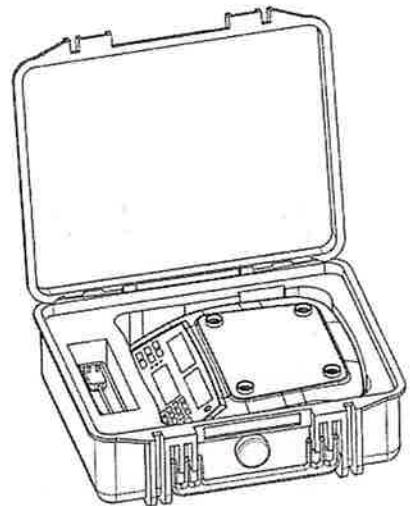
2



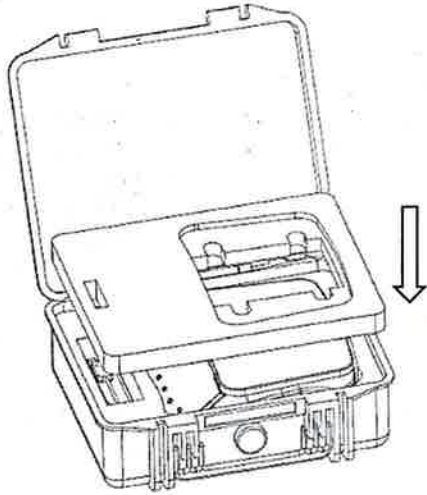
3



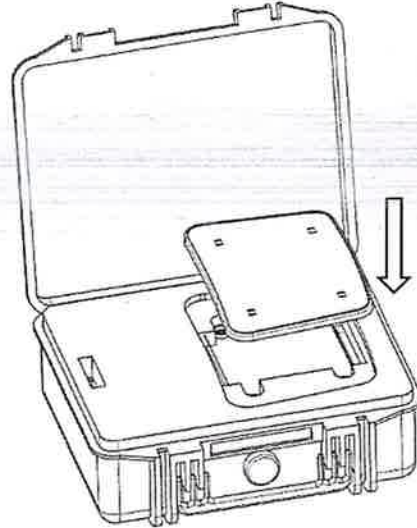
4



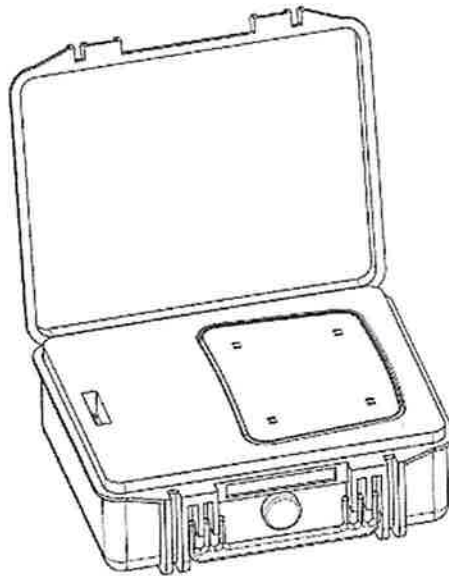
5



6



7



\* 3 0 8 0 0 9 5 5 \*

P/N 30800955 A ©Ohaus Corporation 2022, all right reserved.

Printed in China